

T02

PRINTING

THERMOPRINTING AND REACTIVATION
OF DIRECT-TO-TEXTILE INKS



IT

Innovativa e versatile calandra da stampa adatta sia al trasferimento con carte sublimatiche, sia alla riattivazione degli inchiostri stampati direttamente sui tessuti a mezzo plotters.

Viene fornita completa di tavolo anteriore di preparazione, in grado di stampare/riattivare sia rotoli che materiali in pezzo.

EN

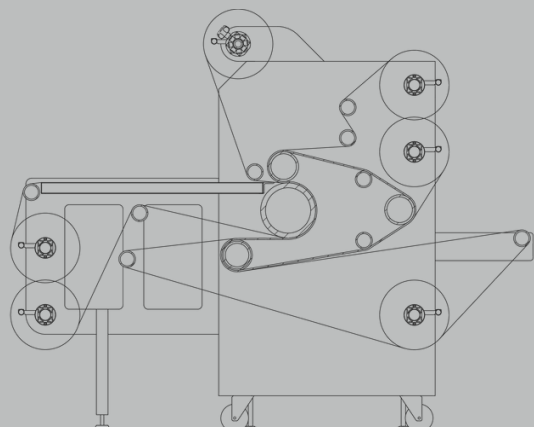
Innovative and versatile printing calender suitable for both the transfer of dye sublimation inks from paper to materials to be printed, and for the reactivation of inks directly printed on textile by means of plotters.

It is supplied complete with front preparation table, allowing the transfer/reactivation of both rolls and materials in piece.

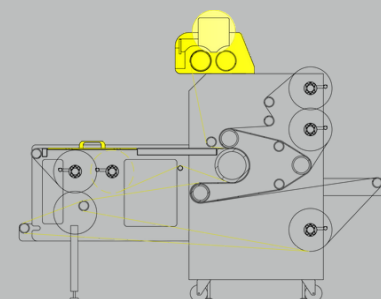
TECHNICAL DATA

T02

PRINTING



STANDARD



WITH OPTIONS

Cylinder width / Tavola cilindro	mm	1800 (70.87")	2000 (78.74")
Working width / Tavola utile	mm	1650 (66.9")	1850 (72.83")
Heating cylinder diameter / Diametro cilindro riscaldato	mm	200 (7.87")	200 (7.87")
Installed electric power / Potenza elettrica installata	kW	10	14
Average consumption / Consumo medio	kW/h	6.7	9.3
Mechanical speed / Velocità meccanica	m/min	0.1 ÷ 1.7	0.1 ÷ 1.7
Net weight / Peso netto	Kg	1050	1300

monti green
environment friendly solutions

monti plus+
advanced technology

member of
ACIAIT
ITALIAN TEXTILE MACHINERY

ALL DATA AND TECHNICAL FEATURES ARE PURELY INDICATIVE, SUBJECTED TO CHANGES WITHOUT PRIOR NOTICE AND REFER TO STANDARD MACHINES WITHOUT OPTIONS. PICTURES SHOWN ARE STOCK IMAGES AND MAY INCLUDE OPTIONS NOT INCLUDED AS STANDARD.

I DATI E LE CARATTERISTICHE TECNICHE SONO PURAMENTE INDICATIVI, SOGGETTI A VARIAZIONE SENZA OBBLIGO DI PREAVVISO E RELATIVI A MACCHINE SENZA OPTIONAL. LE FOTO INSERITE SONO IMMAGINI A STOCK E POSSONO INCLUDERE OPTIONAL NON COMPRESI DI SERIE.

©2023 Monti Antonio S.p.A.
All rights reserved

 **MONTI ANTONIO®**
STANDARD & CUSTOM HEATING SOLUTIONS

INNOVATION
SPEED
FLEXIBILITY
PROJECT&DESIGN
INSTALLATION AND ASSISTANCE

Monti Antonio S.p.A.
Head Office: via dell'Elettronica n°5, 36016 Thiene (VI) Italy
Operation and Administration: via della Fisica n°6, 36016 Thiene (VI) Italy
T. +39 0445 364619 +39 0445 364707 - sales@montiantonio.com
www.montiantonio.com